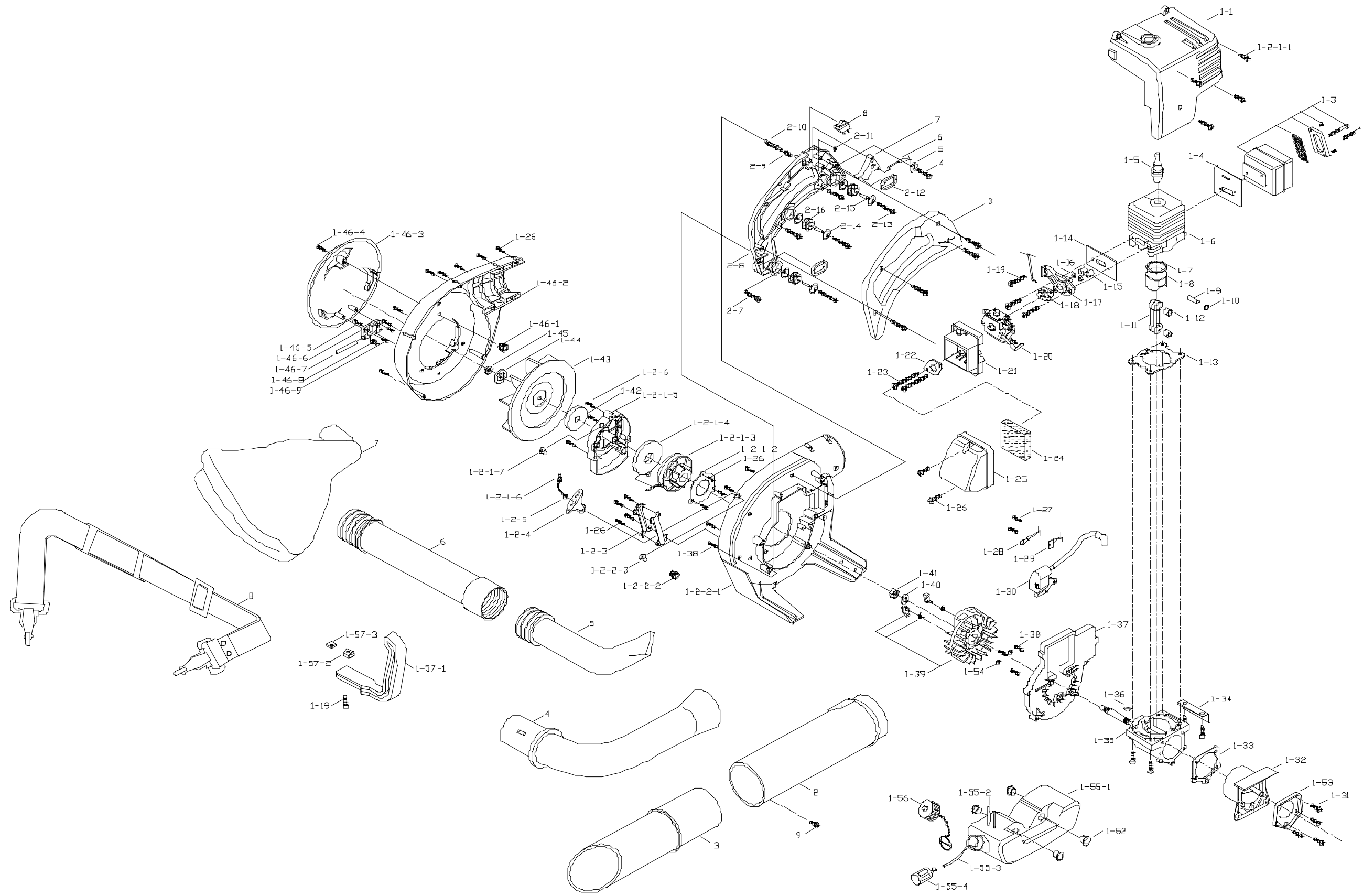




SERVICE SPARE PARTS LIST

| | |
|--|-----------------------------|
| SPECIFY MODEL NO. WHEN ORDERING PARTS | |
| 32cc Blower / Vac | |
| MODEL NO. | MB3201 / 41BS321G077 |

| | | |
|-------------|---------------------|-------------|
| DATE | REVISED DATE | PAGE |
| 10/2/2001 | N/A | 1/2 |





SERVICE SPARE PARTS LIST

| | | | | |
|--|-----------------------------|-------------|---------------------|-------------|
| SPECIFY MODEL NO. WHEN ORDERING PARTS | | DATE | REVISED DATE | PAGE |
| 32cc Blower / Vac | | 1/14/2004 | N/A | 1/2 |
| MODEL NO. | MB3201 / 41BS321G077 | | | |

| No. | STK CODE | Parts No. | Description | Q | No. | STK CODE | Parts No. | Description | Q | No. | STK CODE | Parts No. | Description | Q |
|---------|----------|----------------|-------------------------|---|------|----------|-----------|--------------------------|----|--------|----------|-----------------|----------------------|---|
| 1 | C | MC-9228-320106 | MAIN BODY | 1 | 1-11 | C | | CONNECTING ROD | 1 | 1-46-1 | B | | INSERT | 1 |
| 1-1 | C | | COVER ,CYL | 1 | 1-12 | B | | BEARING | 2 | 1-46-2 | C | | OUTER HOUSING | 1 |
| 1-2 | B | | HUS/HANDLE ASS'Y | 1 | 1-13 | B | | GASKET, CYL | 1 | 1-46-3 | C | | COVER , FAN | 1 |
| 1-2-1 | C | | HUS ASS'Y | 1 | 1-14 | C | | GASKET , MANIFOLD | 1 | 1-46-4 | B | | SCREW | 1 |
| 1-2-1-1 | B | | SCREW | 3 | 1-15 | B | | SPACER , RUBBER | 2 | 1-46-5 | B | | SCREW | 1 |
| 1-2-1-2 | A | | PLATE | 1 | 1-16 | B | | NUT | 3 | 1-46-6 | B | | SPRING , TORSIONAL | 1 |
| 1-2-1-3 | A | | PULLET STARTER | 1 | 1-17 | C | | MANIFOLD | 1 | 1-46-7 | B | | PIN | 1 |
| 1-2-1-4 | B | | SPRING ASS'Y | 1 | 1-18 | B | | GASKET | 1 | 1-46-8 | B | | SPRING | 1 |
| 1-2-1-5 | B | | KIT , STARTER HUS ASS'Y | 1 | 1-19 | B | | SCREW | 1 | 1-46-9 | B | | SCREW | 2 |
| 1-2-1-6 | A | | ROPE | 1 | 1-20 | C | | CARBURETOR ASS'Y | 1 | 1-47 | C | | HANDLE | 1 |
| 1-2-1-7 | A | | ROPE GUIDE | 1 | 1-21 | C | | BOX, AIR FILTER | 1 | 1-48 | B | | WASHER | 1 |
| 1-2-2 | C | | HUS ASS'Y | 1 | 1-22 | C | | PLATE , AIR BOX | 1 | 1-49 | B | | CABLE | 1 |
| 1-2-2-1 | C | | HOUSING | 1 | 1-23 | B | | SCREW | 2 | 1-50 | A | | THROTTLE TRIGGER | 1 |
| 1-2-2-2 | C | | INSERT , BRASS | 3 | 1-24 | B | | FILTER , AIR | 1 | 1-51 | A | | SWITCH | 1 |
| 1-2-2-3 | B | | ROPE GUIDE | 1 | 1-25 | C | | COVER , AIR BOX | 1 | 1-52 | B | | ISOLATOR | 1 |
| 1-2-3 | C | | COVER , ROPE | 2 | 1-26 | B | | SCREW | 11 | 1-53 | A | | PLATE | 1 |
| 1-2-4 | A | | HANDLE | 1 | 1-27 | B | | SCREW | 3 | 1-54 | B | | RETAINER RING | 2 |
| 1-2-5 | B | | WASHER | 1 | 1-28 | C | | WIRE ASS'Y , GROUD | 1 | 1-55 | B | | FUEL TANK ASS'Y | 1 |
| 1-2-6 | B | | SCREW | 7 | 1-29 | C | | WIRE ASS'Y , STOP SWITCH | 1 | 1-55-1 | B | | FUEL TANK | 1 |
| 1-2-7 | C | | LOCK | 1 | 1-30 | B | | IGNITION ASS'Y | 1 | 1-55-2 | B | | HOSE | 1 |
| 1-2-8 | B | | SPRING | 1 | 1-31 | B | | SCREW | 3 | 1-55-3 | B | | HOSE | 1 |
| 1-2-9 | B | | RING , RETAINING | 1 | 1-32 | B | | CRANKSHAFT PLUG | 1 | 1-55-4 | B | | FILTER | 1 |
| 1-2-10 | B | | HARNES LINK | 2 | 1-33 | B | | GASKET | 1 | 1-56 | B | | FUEL CAP ASS'Y | 1 |
| 1-2-11 | C | | ISOLATOR RUBBER | 3 | 1-34 | C | | SHIELD , MUFFLER | 1 | 1-57 | C | | SIDE HANDLE ASS'Y | 1 |
| 1-2-12 | B | | SPACER | 3 | 1-35 | C | | C'CASE/C'SHAFT ASS'Y | 1 | 1-57-1 | C | | SIDE HANDLE | 1 |
| 1-2-13 | B | | WASHER | 6 | 1-36 | B | | KEY | 1 | 1-57-2 | B | | RETAINER , NUT | 2 |
| 1-2-14 | B | | SCREW | 3 | 1-37 | B | | SHROUD , ENGINE | 1 | 1-57-3 | B | | NUT | 2 |
| 1-2-15 | C | | HANDLE , LEFT | 1 | 1-38 | B | | SCREW | 7 | 2 | C | MC-9186-320102 | TUBE , SUCTION | 1 |
| 1-3 | B | | MUFFLER ASS'Y | 1 | 1-39 | B | | FLYWHEEL ASS'Y | 1 | 3 | C | MC-9186-320101 | TUBE , OUTER | 1 |
| 1-4 | C | | PLATE , MUFFLER | 1 | 1-40 | B | | WASHER | 1 | 4 | C | MC-9129-320102 | TUBE , BLOWER 90 DEG | 1 |
| 1-5 | A | | SPARK PLUG | 1 | 1-41 | B | | NUT | 1 | 5 | C | MC-9186-320001 | NOZZLE , FISHTAIL | 1 |
| 1-6 | C | | CYLINDER | 1 | 1-42 | C | | DISC-FIXED | 1 | 6 | C | MC-9186-320002 | TUBE | 1 |
| 1-7 | B | | RING , PISTON | 1 | 1-43 | B | | IMPELLER | 1 | 7 | C | MC-9279-320103 | BAG | 1 |
| 1-8 | B | | PISTON | 1 | 1-44 | C | | DISC-DRIVE | 1 | 8 | A | MC-9149-320101 | HARNES | 1 |
| 1-9 | B | | PISTON PIN | 1 | 1-45 | B | | NUT | 1 | 9 | B | MC-9SGABA3.5-07 | SCREW | 1 |
| 1-10 | B | | RING , RETAINING | 1 | 1-46 | C | | COVER ASS'Y | 1 | | | | | |

Stocking Codes are:

A - Dealer stocked B - Distributor stocked C - Factory stocked

| | |
|--|-------------|
| | Date |
| | Mar-02 |